

Catifa 46

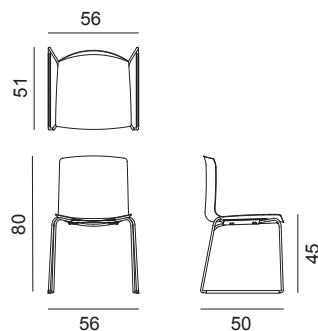
Design by Lievore Altherr Molina, 2004

Art. 0278

Chair with chromed or powdercoated steel sled base and shell in single colour polypropylene, bi-colour polypropylene or covered in hard leather grade 1 (CT) or grade 2 (CU) without padding. Optional glides with felt for wooden floors are available upon request. Steel armrests, also with pad, are available upon request.

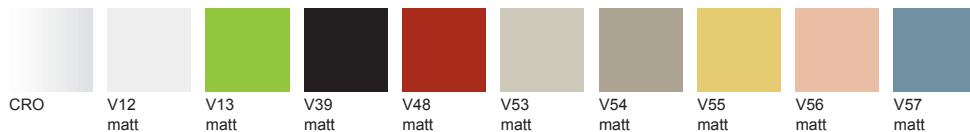


Dimensions *



* File CAD 2D - 3D available for download at www.arper.com

Frame Base



Shell



arper

info@arper.com

www.arper.com

Catifa 46

Design by Lievore Altherr Molina, 2004

Accessories:



Link Art. 0258



Cushion Art. 0261



Stacking protection pad Art. 0262



Single trolley Art. 0500



Trolley Art. 0760



Armrests BV



Armrests CV - pad (only for PO)

SHIPMENT DETAILS

Art.0278

1 pz = 2  - kg 10,4/ m² 0,24
4 pz = 2  - kg 32/ m² 0,3

RESISTANCE TEST

- EN 1728:2000 - EN 15373:2007 6.12
- EN 1728:2000 - EN 15373:2007 6.16
- EN 1728:2000 - EN 15373:2007 6.2.1
- EN 1728:2000 - EN 15373:2007 6.6
- EN 1728:2000 - EN 15373:2007 6.8
- EN 1022:05
- EN 1728:2000 - EN 15373:2007 6.15
- EN 1728:2000 - EN 15373:2007 6.17
- EN 1728:2000 - EN 15373:2007 6.2.2
- EN 1728:2000 - EN 15373:2007 6.7
- ANSI-BIFMA X5.1-2002 12
- TUV GS (EN16139)

ENVIRONMENTAL CERTIFICATIONS



ANP-2009
OECA 28-2009
Furniture and fittings

TECHNICAL SPECIFICATIONS

Art.0278

Stainless steel rod sled base available upon request with a surcharge.

Outdoor: only for PO, V12, V13, V39, V48, V53, V54, V55, V56, V57 Outdoor powdercoated

FIRE RETARDANT TEST

BS5852/90 Sez.5 cigarette match polypropylene • Classe 1 polypropylene • EN 1021 -1/2 polypropylene • M2 polypropylene • California TB133 polypropylene • BS5852 Sch. 5 Part 1 CT CU

Stackability:

- Up to 10 pcs. (should the weight exceed 25 kilos a handling tool must be used).
- With trolley: up to 20 pcs.
- CT/CU versions: max. 5 pcs. With stacking pad.
- Chair with armrest : not stackable.

arper

www.arper.com
info@arper.com

Catifa 46

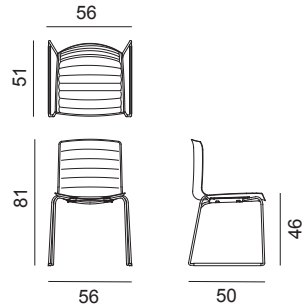
Design by Lievore Altherr Molina, 2004

Art. 0280

Chair with chromed or powdercoated steel sled base and shell upholstered in leather, faux leather, fabric or customer's own material. Optional glides with felt for wooden floors are available upon request. Steel armrests, also upholstered, are available upon request.

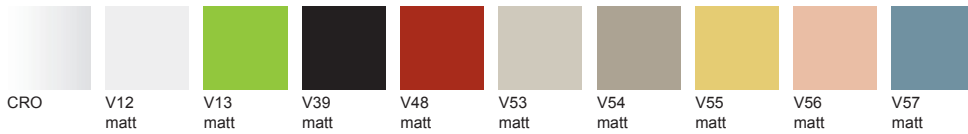


Dimensions *



* File CAD 2D - 3D available for download at www.arper.com

Frame Base



Shell

Carded In



Graded In

kvadrat

camira



DESIGN
TEX



Gabriel



svensson

maharam

Serge Ferrari

Catifa 46

Design by Lievore Altherr Molina, 2004

Accessories:



Link Art. 0258



Stacking protection pad with link Art. 0277



Stacking protection pad Art. 0499



Single trolley Art. 0500



Trolley Art. 0760



Armrests BV



Armrests CI - only pad

SHIPMENT DETAILS

Art.0280

1 pz = 2 - kg 11,7/ m² 0,27
4 pz = 2 - kg 38/ m² 0,36

TECHNICAL SPECIFICATIONS

Art.0280

COL requirement m² 1,67
H 140 cm. COM Meterage ml 1.1
Line detail stitching
Stainless steel rod sled base available upon request with a surcharge.
Frame base finishes: indoor use only

RESISTANCE TEST

- EN 1728:2000 - EN 15373:2007 6.12
- EN 1728:2000 - EN 15373:2007 6.16
- EN 1728:2000 - EN 15373:2007 6.2.2
- EN 1728:2000 - EN 15373:2007 6.8
- TUV GS (EN16139)
- EN 1728:2000 - EN 15373:2007 6.15
- EN 1728:2000 - EN 15373:2007 6.2.1
- EN 1728:2000 - EN 15373:2007 6.7
- EN 1022:05

FIRE RETARDANT TEST

Classe 1IM Cava 3 Divina MD Divina Melange 2 Divina 3 Hallingdal 65 Pro 3 Soft leather Tonus 4 Faux leather Valencia • California TB117-2013 Cava 3 Clara Canvas Divina MD Divina Melange 2 Divina 3 Soft leather Elmosoft Field Hallingdal 65 Jet Jumper 3 Pro 3 Soft leather Remix 2 Savanna Steelcut 2 Scuba Steelcut Trio 2 Steelcut Trio 3 Sunniva Sunniva 2 Tonus 4 Tempo Faux leather Valencia • BS5852 Sch. 4 Part 1 Cava 3 Divina MD Divina Melange 2 Divina 3 Soft leather Elmosoft Hallingdal 65 Pro 3 Tonus 4 Faux leather Valencia • BS5852 Sch. 5 Part 1 Cava 3 Clara Canvas Divina MD Divina Melange 2 Divina 3 Soft leather Elmosoft Hallingdal 65 Soft leather Remix 2 Savanna Steelcut 2 Steelcut Trio 2 Steelcut Trio 3 Tonus 4 Faux leather Valencia • EN 1021 - 1 Divina MD Divina Melange 2 Divina 3 Soft leather Elmosoft Field Hallingdal 65 Pro 3 Soft leather • EN 1021 - 2 Divina MD Divina Melange 2 Divina 3 Soft leather Elmosoft Field Hallingdal 65 Pro 3 Soft leather

ENVIRONMENTAL CERTIFICATIONS



Stackability:

- With stacking protection pad: up to 8 pcs. (should the weight exceed 25 kilos a handling tool must be used).
- With stacking protection pad and trolley: up to 8 pcs.
- Soft leather - faux leather versions: max. 5 pcs. with stacking pad
- Chair with armrest : not stackable.

Catifa 46

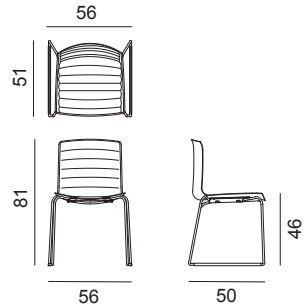
Design by Lievore Altherr Molina, 2013

Art. 0312

Chair with chromed or powdercoated steel sled base and white polypropylene shell (PO101) upholstered with a removable non-washable cover in leather, faux leather, fabric or customer's own material. The chair is provided already fitted with the cover. Optional glides with felt for wooden floors are available upon request. Steel armrests are available upon request.

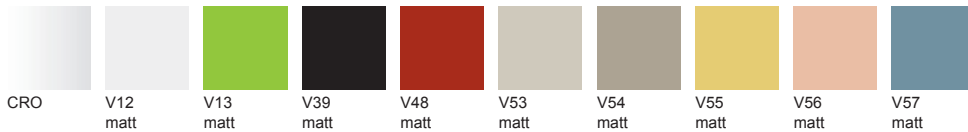


Dimensions *



* File CAD 2D - 3D available for download at www.arper.com

Frame Base



Shell



Carded In



Graded In

kvadrat

camira



DESIGN
TEX



Gabriel



svensson

maharam

Serge Ferrari

Catifa 46

Design by Lievore Altherr Molina, 2013

Accessories:



Link Art. 0258



Stacking protection pad with link Art. 0277



Stacking protection pad Art. 0499



Single trolley Art. 0500



Trolley Art. 0760



Armrests BV

SHIPMENT DETAILS

Art.0312

1 pz = 2  - kg 11,7/ m² 0,27
4 pz = 2  - kg 38/ m² 0,36

TECHNICAL SPECIFICATIONS

Art.0312

COL requirement m² 1,98
H 140 cm. COM Meterage ml 1,08.
Stainless steel rod sled base available upon request with a surcharge.

ENVIRONMENTAL CERTIFICATIONS



Stackability:

- With stacking protection pad: up to 8 pcs. (should the weight exceed 25 kilos a handling tool must be used).
 - With stacking protection pad and trolley: up to 8 pcs.
 - Soft leather - faux leather versions: max. 5 pcs. with stacking pad
- Chair with armrest : not stackable.

Catifa 46

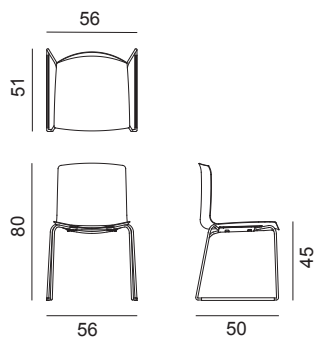
Design by Lievore Altherr Molina, 2004

Art. 0378

Chair with chromed or powdercoated steel sled base and oak-effect reconstituted veneer shell available in three finishes (natural oak, bleached oak, wengé). Glides for wooden floors available upon request. Steel armrests are available upon request.

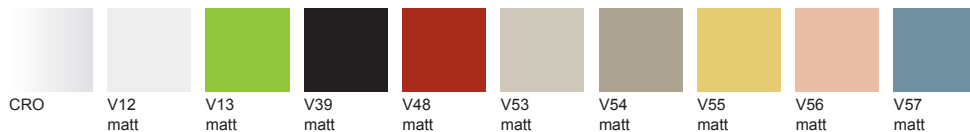


Dimensions *



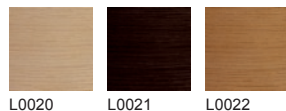
* File CAD 2D - 3D available for download at www.arper.com

Frame Base



Shell

Wood



arper

www.arper.com

info@arper.com

Catifa 46

Design by Lievore Altherr Molina, 2004

Accessories:



Link Art. 0258



Cushion Art. 0261



Stacking protection glide Art. 0286



Single trolley Art. 0500



Trolley Art. 0760



Armrests BV

SHIPMENT DETAILS

Art.0378

1 pz = 2  - kg 9,88/ m² 0,24
4 pz = 2  - kg 29,9/ m² 0,32

RESISTANCE TEST

- EN 1728:2012 - EN 16139:2013 6.15
- EN 1728:2012 - EN 16139:2013 6.17
- EN 1728:2012 - EN 16139:2013 6.24
- EN 1728:2012 - EN 16139:2013 6. 4
- EN 1022:05
- EN 1728:2012 - EN 16139:2013 6.16
- EN 1728:2012 - EN 16139:2013 6.18
- EN 1728:2012 - EN 16139:2013 6.25
- EN 1728:2012 - EN 16139:2013 6. 5
- TUV GS (EN16139)

ENVIRONMENTAL CERTIFICATIONS



TECHNICAL SPECIFICATIONS

Art.0378

Stainless steel rod sled base available upon request with a surcharge.
Frame base finishes: indoor use only

FIRE RETARDANT TEST

BS5852/90 Sez.5 cigarette match LG • Classe 1 LG

Stackability:

- With stacking glide: up to 10 pcs. (should the weight exceed 25 kilos a handling tool must be used).
- With stacking glide and trolley: up to 10 pcs.
- Chair with armrest : not stackable.

Catifa 46

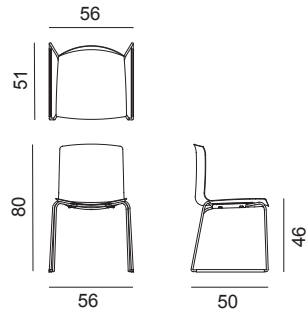
Design by Lievore Altherr Molina, 2004

Art. 0468

Chair with chromed or powdercoated steel sled base and polypropylene shell with front upholstery in fabric, leather, faux leather or customer's own material. Optional glides with felt for wooden floors are available upon request. Steel armrests, also upholstered, are available upon request.

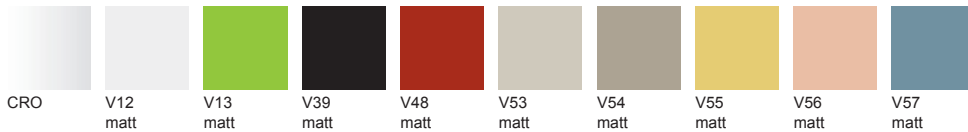


Dimensions *



* File CAD 2D - 3D available for download at www.arper.com

Frame Base



Shell



Carded In



Graded In

kvadrat

camira



DESIGN
TEX



Gabriel



svensson

maharam

Serge Ferrari

Catifa 46

Design by Lievore Altherr Molina, 2004

Accessories:



Link Art. 0258



Stacking protection pad with link Art. 0277



Stacking protection pad Art. 0499



Single trolley Art. 0500



Trolley Art. 0760



Armrests BV



Armrests CI - only pad

SHIPMENT DETAILS

Art.0468

1 pz = 2 - kg 13,1/ m² 0,27

4 pz = 2 - kg 39,44/ m² 0,37

TECHNICAL SPECIFICATIONS

Art.0468

COL requirement m² 0,84

H 140 cm. COM Meterage ml 0.65

Stainless steel rod sled base available upon request with a surcharge.

Frame base finishes: indoor use only

RESISTANCE TEST

- EN 1728:2000 - EN 15373:2007 6.12
- EN 1728:2000 - EN 15373:2007 6.16
- EN 1728:2000 - EN 15373:2007 6.2.2
- EN 1728:2000 - EN 15373:2007 6.8
- TUV GS (EN16139)

- EN 1728:2000 - EN 15373:2007 6.15
- EN 1728:2000 - EN 15373:2007 6.2.1
- EN 1728:2000 - EN 15373:2007 6.7
- EN 1022:05

FIRE RETARDANT TEST

Classe 1M Cava 3 Divina MD Divina Melange 2 Divina 3 Soft leather Elmosoft Field Hallingdal 65 Pro 3 Soft leather Remix 2 Tonus 4 Faux leather Valencia • California TB117-2013 Cava 3 Clara Canvas Divina MD Divina Melange 2 Divina 3 Soft leather Elmosoft Field Hallingdal 65 Jet Jumper 3 Pro 3 Soft leather Remix 2 Savanna Steelcut 2 Scuba Steelcut Trio 2 Steelcut Trio 3 Sunniva Sunniva 2 Tonus 4 Tempo Faux leather Valencia • BS5852 Sch. 4 Part 1 Cava 3 Divina MD Divina Melange 2 Divina 3 Soft leather Elmosoft Hallingdal 65 Pro 3 Tonus 4 Faux leather Valencia • BS5852 Sch. 5 Part 1 Cava 3 Clara Canvas Divina MD Divina Melange 2 Divina 3 Soft leather Elmosoft Hallingdal 65 Soft leather Remix 2 Savanna Steelcut 2 Steelcut Trio 2 Steelcut Trio 3 Tonus 4 Faux leather Valencia • EN 1021 - 1 Divina MD Divina Melange 2 Divina 3 Soft leather Elmosoft Field Hallingdal 65 Pro 3 Soft leather • EN 1021 - 2 Divina MD Divina Melange 2 Divina 3 Soft leather Elmosoft Field Hallingdal 65 Pro 3 Soft leather

ENVIRONMENTAL CERTIFICATIONS



Stackability:

– With stacking protection pad: up to 8 pcs. (should the weight exceed 25 kilos a handling tool must be used).

– With stacking protection pad and trolley: up to 8 pcs.

– Soft leather - faux leather versions: max. 5 pcs. with stacking pad

Chair with armrest : not stackable.

Catifa 46

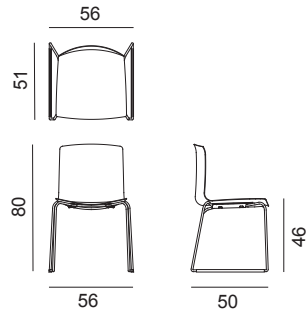
Design by Lievore Altherr Molina, 2014

Art. 0326

Chair with chromed or powdercoated steel sled base and oak-effect reconstituted veneer shell available in three finishes (natural oak, bleached oak, wengé). Front upholstery in leather, faux leather, fabric or customer's own material. Glides for wooden floors available upon request without surcharge. Steel armrests, also upholstered, are available upon request.

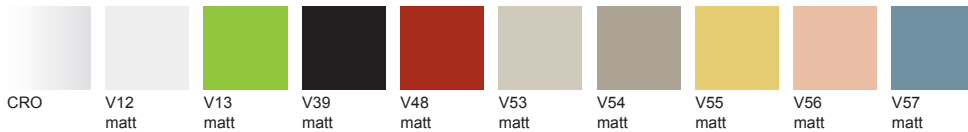


Dimensions *

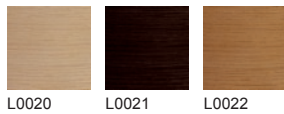


* File CAD 2D - 3D available for download at www.arper.com

Frame Base



Shell Wood



Carded In



Graded In



arper

info@arper.com

www.arper.com

Catifa 46

Design by Lievore Altherr Molina, 2014

Accessories:



Link Art. 0258



Stacking protection pad with link Art. 0277



Stacking protection pad Art. 0499



Single trolley Art. 0500



Trolley Art. 0760



Armrests BV




Armrests CI - only pad

SHIPMENT DETAILS

Art.0326

1 pz = 2  - kg 13,1/ m³ 0,27

4 pz = 2  - kg 39,44/ m³ 0,37

TECHNICAL SPECIFICATIONS

Art.0326

COL requirement m² 0,84

H 140 cm. COM Meterage ml 0.65

Stainless steel rod sled base available upon request with a surcharge.

Frame base finishes: indoor use only

ENVIRONMENTAL CERTIFICATIONS

Stackability:

- With stacking protection pad: up to 8 pcs. (should the weight exceed 25 kilos a handling tool must be used).
 - With stacking protection pad and trolley: up to 8 pcs.
 - Soft leather - faux leather versions: max. 5 pcs. with stacking pad
- Chair with armrest : not stackable.

arper

www.arper.com

info@arper.com

Catifa 46

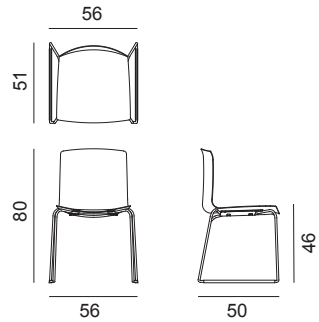
Design by Lievore Altherr Molina, 2012

Art. 0452

Chair with chromed or powdercoated steel sled base and Polypropylene shell with cushion upholstery in fabric, leather, faux leather or customer's own material applied to the seat surface. Optional glides with felt for wooden floors are available upon request. Steel armrests, also upholstered, are available upon request.

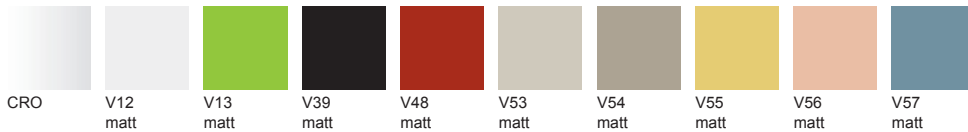


Dimensions *



* File CAD 2D - 3D available for download at www.arper.com

Frame Base



Shell



Carded In



Graded In



arper

www.arper.com
info@arper.com

Catifa 46

Design by Lievore Altherr Molina, 2012

Accessories:



Link Art. 0258



Stacking protection pad with link Art. 0277



Stacking protection pad Art. 0499



Single trolley Art. 0500



Trolley Art. 0760



Armrests BV




Armrests CI - only pad

SHIPMENT DETAILS

Art.0452

1 pz = 2  - kg 13,1/ m² 0,27

4 pz = 2  - kg 39,44/ m² 0,37

TECHNICAL SPECIFICATIONS

Art.0452

COL requirement m² 0,48

H 140 cm. COM Meterage ml 0,59

Stainless steel rod sled base available upon request with a surcharge.

Frame base finishes: indoor use only

ENVIRONMENTAL CERTIFICATIONS

Stackability:

- With stacking protection pad: up to 8 pcs. (should the weight exceed 25 kilos a handling tool must be used).
- With stacking protection pad and trolley: up to 8 pcs.
- Soft leather - faux leather versions: max. 5 pcs. with stacking pad